

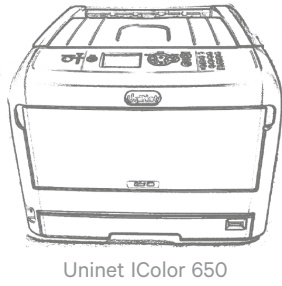
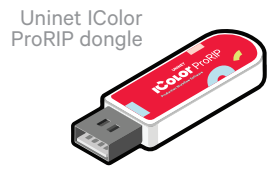
iColor 650

Digital Color + White Transfer Printer
Worldwide Model

Quick Start Guide

For detailed instructions, please refer to the Uninet iColor 650 Printer User Manual and the Uninet iColor ProRIP User Manual

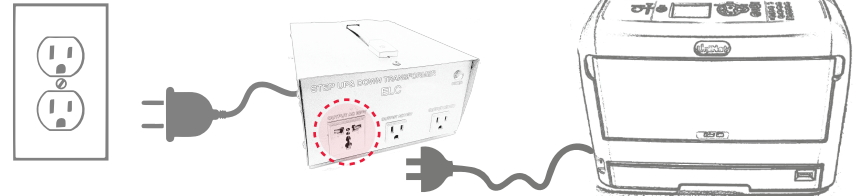
1. Remove the packing materials and check the components



2. Connect the printer to power.

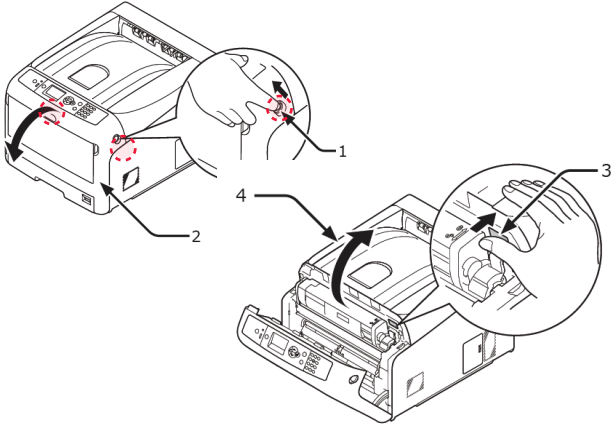
- Connect the power transformer to a 110v wall outlet.
- Connect the printer to the power transformer
- Switch on power transformer, then power on the printer

* Consult the iColor 650 User Manual for additional information *



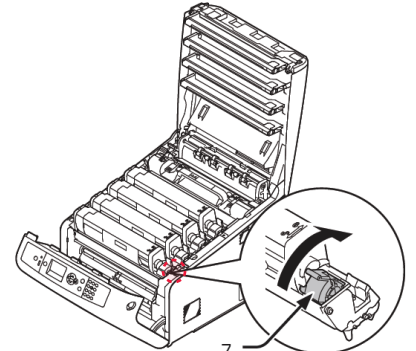
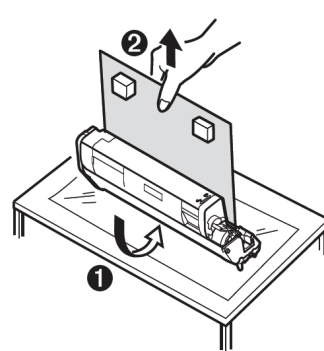
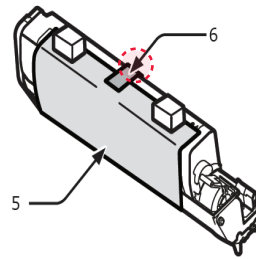
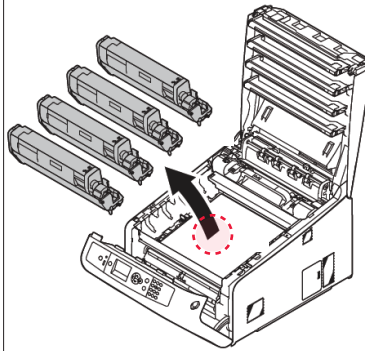
Ensure the input voltage on the back of the transformer is set to '115' using the red switch

3. Open the front door and top lid of the printer



4. Uninstall the cartridges to remove the protective orange film from each.

- Lock the blue lever forward.
- Reinstall the cartridges.



* Please note the blue handle on the white cartridge is already in the locked position *

5. Using one of the provided cables (Network or USB), connect the printer to your PC (USB) or router/switch (network).

- To set a static IP address for the printer, please refer to the iColor 650 User Manual.
- To connect the printer via Wifi, please refer to the iColor 650 User Manual.

6. The Uninet iColor 650 Digital Color + White Transfer Media Printer has THREE configurations to suit any printing project

These coincide with the 'Print Queues' in the iColor ProRIP (Step 13)

A. Standard CMYK

(Used for traditional CMYK Printing applications)



Slot Order (Front to Back)

B. Spot Color Underprinting

(Used for right side reading applications. Typically printing color on clear on dark papers) White prints first.



Slot Order (Front to Back)

C. Spot Color Overprinting

(Used for reverse printing applications. Typically garment decoration) White prints last.

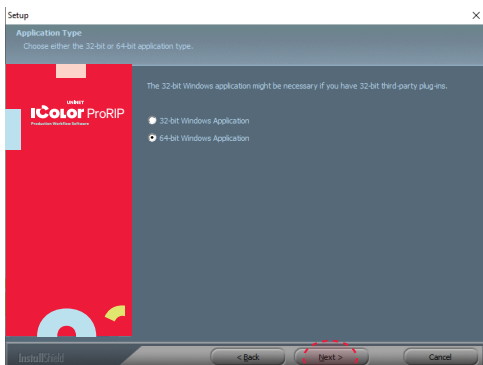


Slot Order (Front to Back)

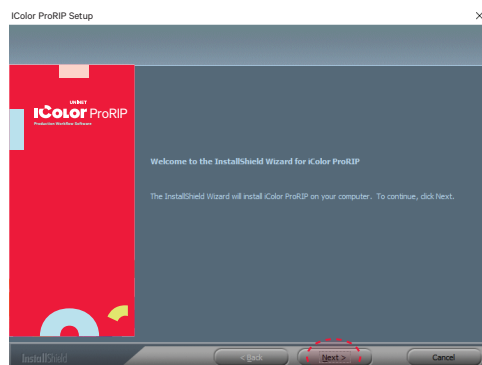
7. Install the Uninet iColor ProRIP (stored on the provided dongle)

- Choose your language and follow the install steps

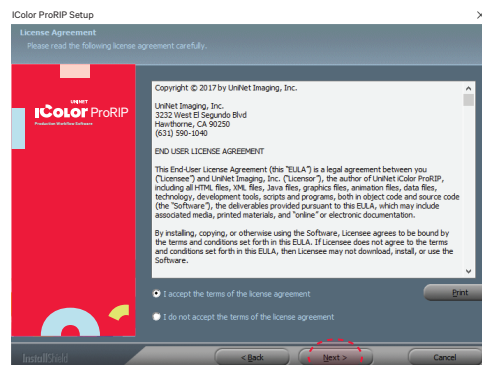
Please disable/uninstall any Anti Virus software before installation of the UNINET ProRIP



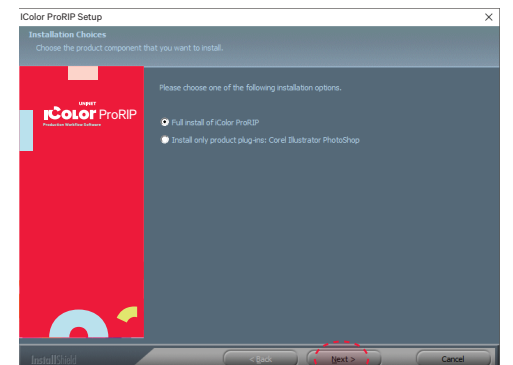
SetUp
Application Type. Choose either 32-bit or 64-bit application type. To Continue, select Next.



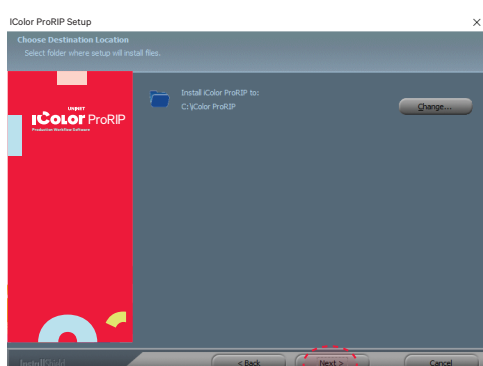
iColor ProRIP Setup
InstallShield Wizard for iColor ProRIP
The InstallShield Wizard will install iColor ProRIP on your computer. To Continue, select Next.



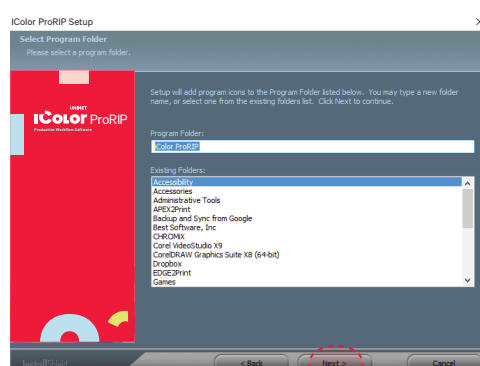
iColor ProRIP Setup
License Agreement
Please read the following license agreement carefully. If you agree, Accept and select Next.



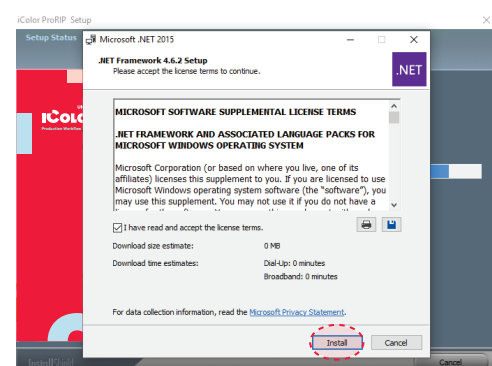
iColor ProRIP Setup
Installation Choices
Choose 'Full install of iColor ProRIP' and select Next.



iColor ProRIP Setup
Choose Destination Location. Select folder where setup will install files. To Continue, select Next.



iColor ProRIP Setup
Select Program Folder. Please select a program folder. Setup will add program icons to the Program Folder listed below. You may type a new folder name, or select one from the existing folders list. Select Next to continue.

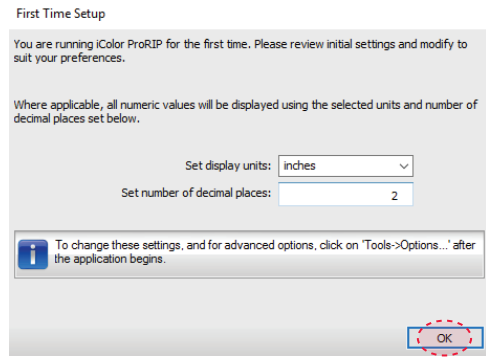


iColor ProRIP Setup
Agree to license terms and select Install.

8. Uninet IColor ProRIP software

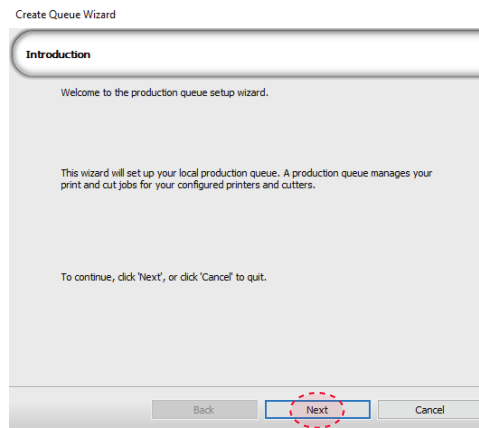
First time Setup

- Ensure the ProRIP dongle is inserted and you are connected to the internet (required)
- Launch the software
- Set unit of measure and decimal places, then select OK.

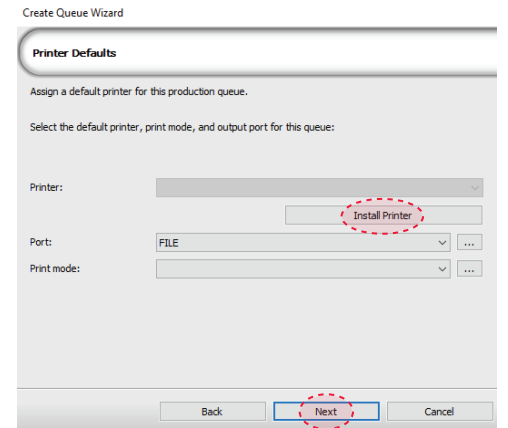


9. ProRIP opens, the Queue Wizard will begin the installation of the support files for your IColor 650 printer

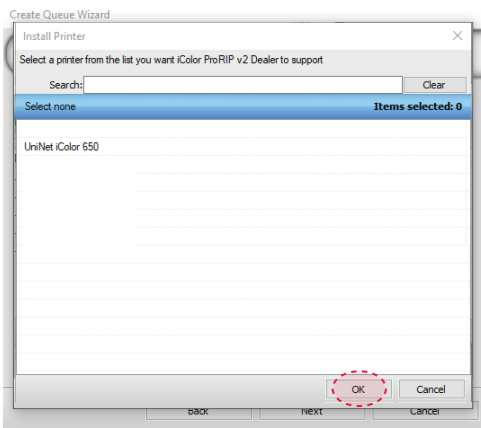
- Select Next



- Select Install Printer

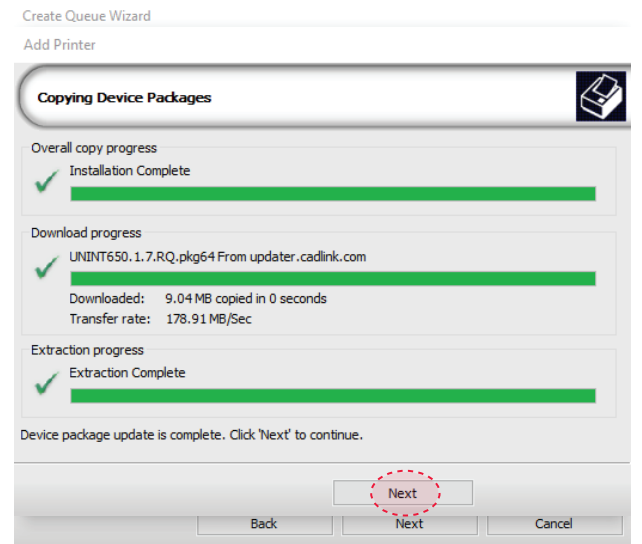
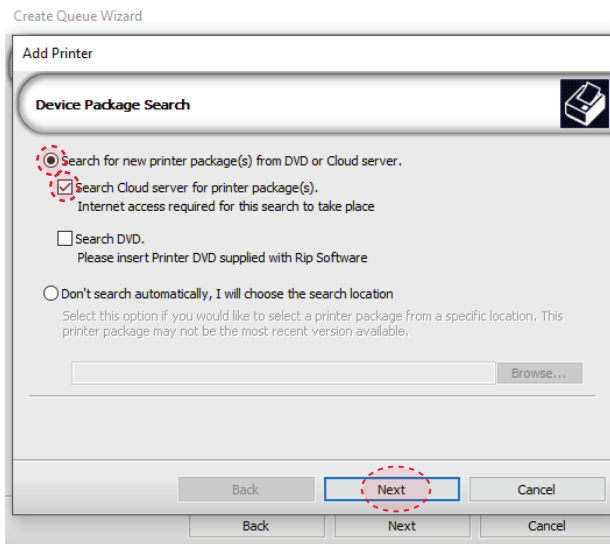


10. Select the IColor 650 printer from the support menu and select 'OK'



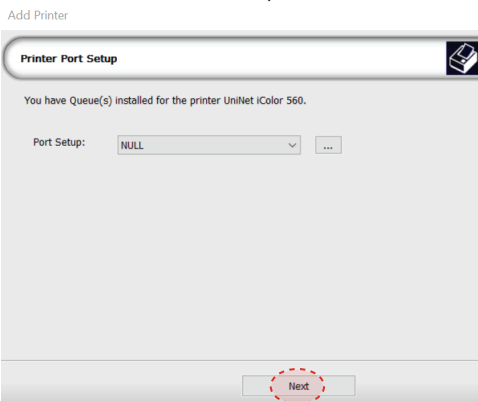
11. Device package Search

- Select 'Search' for new printer package
- Select 'Next' to continue the installation



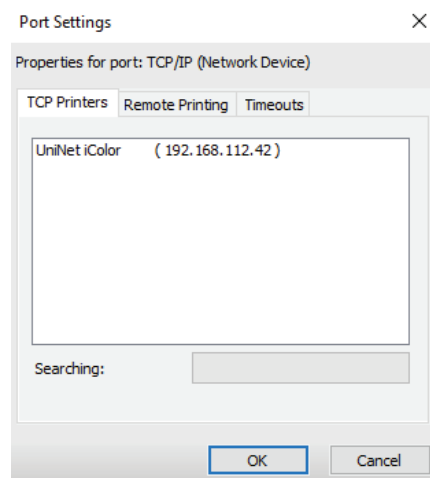
12. Select your 'Port' from the menu

- Network or USB (Choose TCP/IP for network)
 - If connected via USB, choose the printer as identified in the drop down menu.

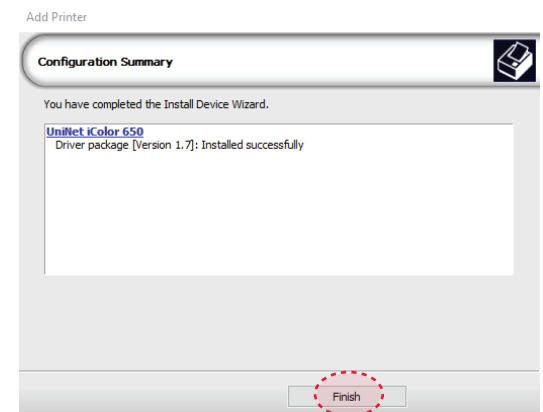


13. Port Configuration (network)

- If connected via network, once TCP/IP is selected, the software will poll your network for available printers.
- *** Be sure to set a static IP address for your printer so that the IP address does not change later. If this occurs, you will need to repeat this step***



– If you need to change or reset the ports in the future: Click **Queue >> Manage Queues** to view, update or change the port settings.

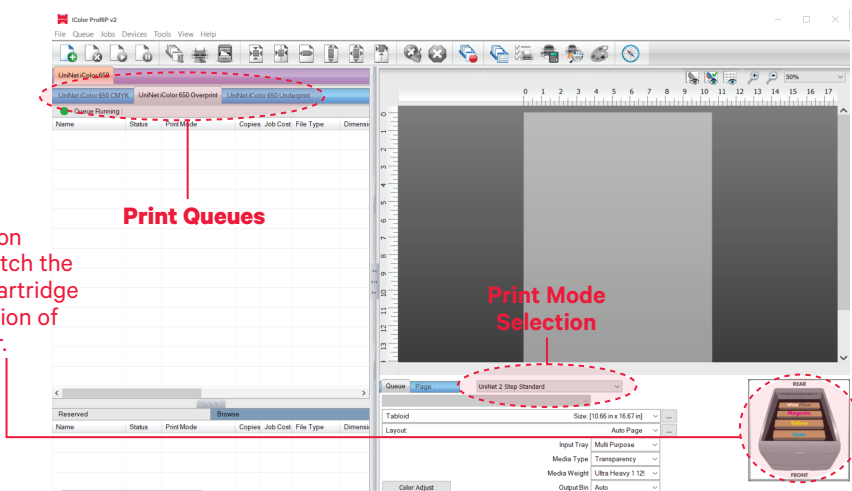


14. Select the proper Print Queue for your project

- A. Select your 'Print Que' and 'Print Mode'
 - The 'Print Modes' have preset values for white coverage, choke, paper size, paper tray and mirror settings

These can be modified as needed

Note: Preview icon should match the physical cartridge configuration of the printer.



15. Import + Print Graphic

- A. Three ways to import graphics

- 1. Select the 'green plus' icon and navigating to the proper folder.
- 2. Select File > Import File
- 3. Simply dragging and dropping your file into the queue

- B. Select the desired file

- C. Select 'Print' icon in the menu bar.

